



INSTALLATION INSTRUCTIONS

HAYMAN REESE SMART PIN

Your Hayman Reese towbar is equipped with Smart Pin technology to help reduce towbar tongue rattle in most driving conditions. Please ensure below instructions are understood and routine maintenance is carried out to ensure best towing experience.

- i** Regularly inspect for wear and check the tightness of the Smart Pin Nut. Follow instructions below to re-tighten the nut as necessary when movement and noise in the tow ball mount is noted.
- Do not tow with your vehicle if the R-Clip or the Smart Pin Nut is loose or missing. Replacement parts are available from your Hayman Reese Distributor.
 - Do not tow with your vehicle if the R-Clip or the Smart Pin Nut is loose or missing. Replacement parts are available from your Hayman Reese Distributor.

TOWBALL MOUNT REMOVAL/INSTALLATION

STEP 1

Insert Trailer Ball Mount (TBM) (a) into towbar hitchbox (b), aligning hole in TBM shank (c) with hole in hitchbox (d) (Fig. 1)

STEP 2

Insert Smart Pin (e) through hole in hitchbox and hole in TBM shank; ensure the locators are inserted into the notches in the hitchbox (f) (Fig. 2)

STEP 3

Screw Smart Pin Nut (g) onto Smart Pin (h); tighten Smart Pin Nut until finger tight, ensuring TBM is restrained from up and down movement. (Fig. 3)

STEP 4

Tighten Smart Pin Nut by turning nut a further 1/8th of a turn in the clockwise direction using a 23mm spanner (Fig. 4).

STEP 5

Install Smart Pin R-Clip through the hole on the Smart Pin (Fig. 5)

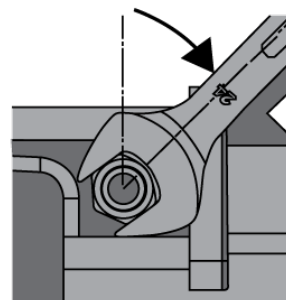
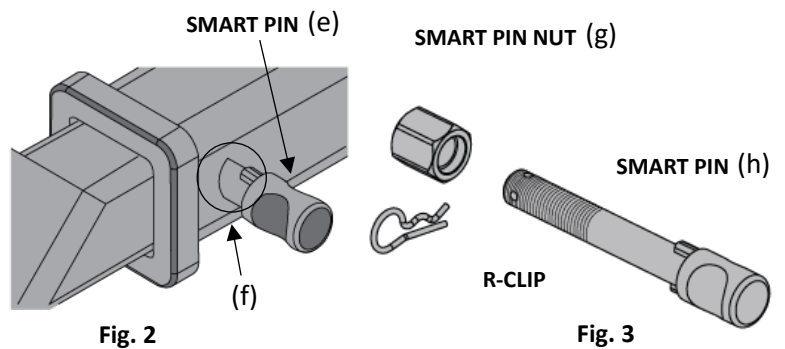
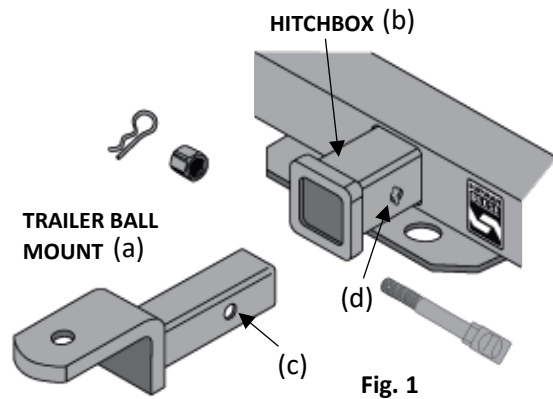


Fig. 4

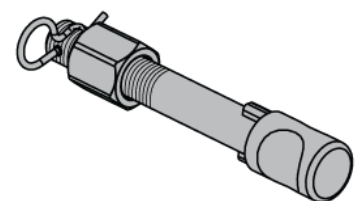


Fig. 5